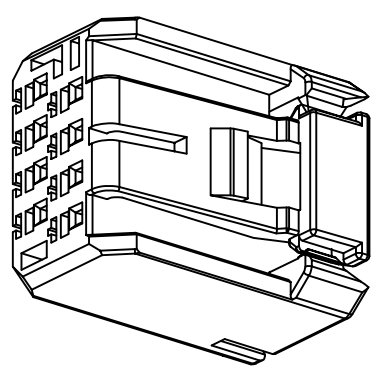
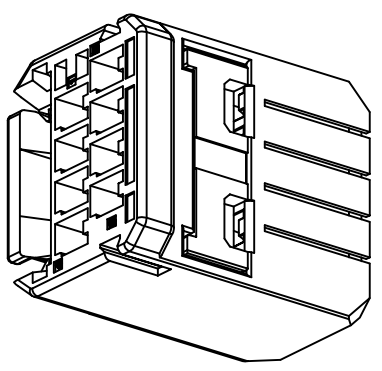
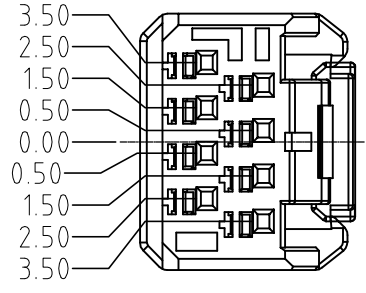
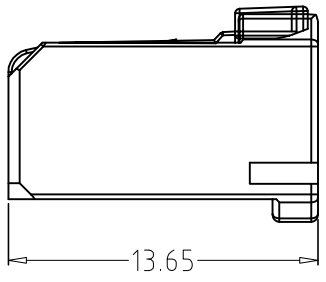
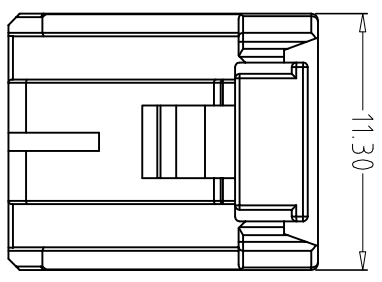
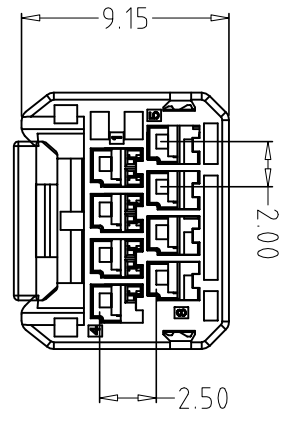


REV	DESCRIPTION	NAME	DATE
A0	NEW RELEASE	F.	21.00.00



FUOURS INDUSTRY LIMITED
WWW.FUOURS.COM

GENERAL TOLERANCE		EXTEND USE		TITLE	
DIMENSION	ANGLES	APPD	CHD	DWG NO	08CPM 4X2
X. ±0.20	X° ±0.5°			XXXXX-XXX	
XX ±0.10	XX° ±0.1°			P/N	XXXXXX
XXX ±0.01	XXX° ±0.05°	DRN		SHEET	1/1
XXXX ±0.003	FINISH	2021/00/00		SCALE	3:1
	▽▽▽▽▽▽▽▽▽▽			UNIT	mm
				REV	A0